

SB200 | SB500 | SB950

Battery Lifting Magnet

The electropermanent battery lifting magnets are suitable for the flat material load range of 200kg | 500kg | 950kg and the round material load range of 50kg | 200kg | 400kg. Using a current pulse of less than one second the electropermanent battery lifters SB200 | SB500 | SB950 from Assfalg are switched manually by pushbuttons or automatically. Although no current flows during the transport of the load, the workpiece remains safely clamped like a permanent magnet. Up to 1000 ON/OFF switching cycles by SB200 | SB500 and 500 ON/OFF switching cycles by SB950 are possible before recharging the integrated accu by the supplied mains charger.



SB200

Application

- + For flat and round material
- + Destacking from 4mm sheet thickness by power reduction
- + Independent from mains supply
- + In mechanical engineering, tool manufacturing, plant engineering, steel construction, shipbuilding, steel mill, flame cutting, transport company or materials stores



SB950



SB500



SB500



SB200



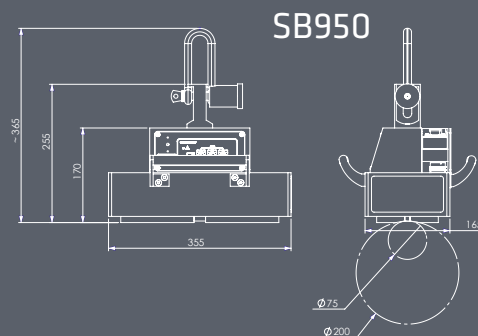
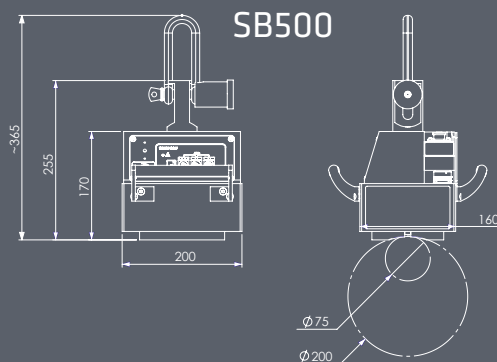
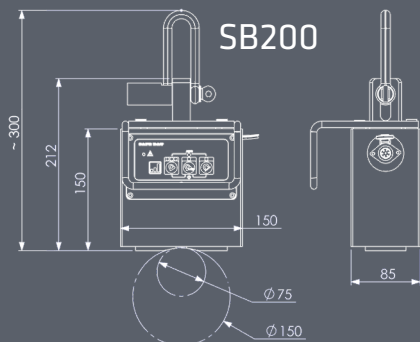
SB200 with special pole shoes

Professional advantages

- + No battery flow during lifting (only a current pulse for a few seconds is required for magnetizing or demagnetizing)
- + Replaceable and rechargeable battery box for SB500 and SB950 mounted externally
- + The magnets are either manually switched via push buttons or automatically via AUTO function
- + Power reduction for destacking or low weight loads
- + A built in security mechanism prevents switching when the load is suspended
- + Option: Positioning drawbar SB 950, swivel-mounted in Z-Axis +/- 60°

Features

- ☑ Auto mode is instead of wireless control
- ☑ Up to 1000 ON/OFF switching cycles before recharging
- ☑ Accu (lithium-ion battery) is charged in approx. 2h mains charger 110V / 230V / 50-60Hz



Technical data	Dimensions	Load	Min.	Max. load	Load	ø	Hold surface	Weight	No.
	[LxWxH]	SWL 3:1	thickness	capacity from	SWL 3:1	from - to			
	[mm]	Fh [kg]	[mm]	[mm]	Fh [kg]	[mm]	[mm]	[kg]	
SB200	150 x 85 x 150	200	4	20	50	75 - 150	115 x 50	10	65697
SB500	200 x 160 x 170	500	4	20	200	75 - 200	145 x 125	26	62666
SB950	355 x 165 x 170	950	4	20	400	75 - 200	320 x 130	41	60643